

# Adapters

DC-8 GHz

## BETWEEN-SERIES ADAPTERS

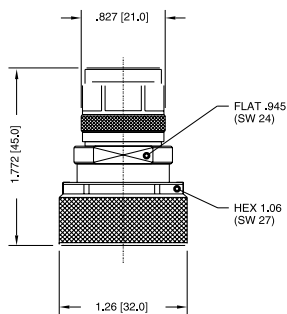
- Low VSWR
- Wireless Band Applications



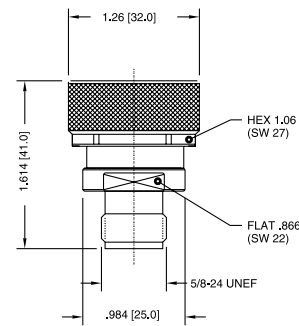
### SPECIFICATIONS

MODEL	VSWR (max)		CONNECTORS
	DC - 4 GHz	4 - 8 GHz	
N53S160S50	1.03:1	1.09:1	7/16 MALE to N MALE
N60S153K50	1.03:1	1.09:1	7/16 MALE to N FEMALE
N53S160K50	1.03:1	1.09:1	7/16 FEMALE to N MALE
N53K160K50	1.03:1	1.09:1	7/16 FEMALE to N FEMALE

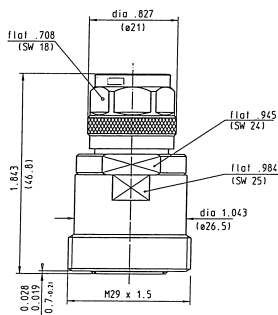
### OUTLINE DRAWINGS



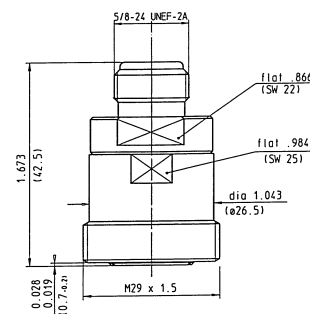
Model No. N53S160S50



Model No. N60S153K50



Model No. N53S160K50



Model No. N53K160K50